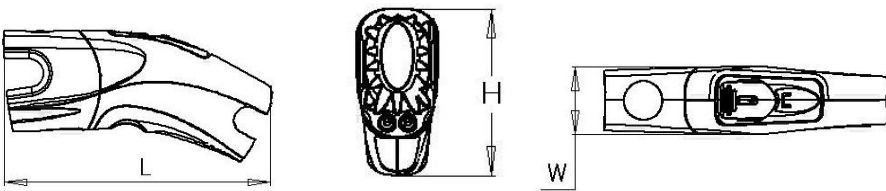
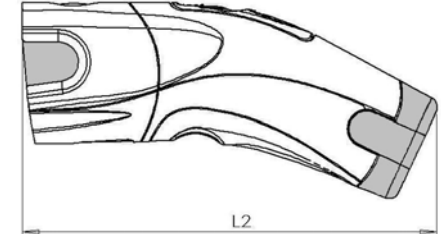




Consumer Models		
Model	Model No.	Color
TASER C2 WITH LASER	31010	Black Pearl
TASER C2 WITH LASER	31040	Electric Blue
TASER C2 WITH LASER	31060	Titanium Silver
TASER C2 WITH LASER	31090	Metallic Pink
TASER C2 WITH LASER	31080	Red Hot Red
TASER C2 WITH LASER	31092	Fashion Pink
TASER C2 WITH LASER	31181	Camouflage Desert
TASER C2 WITH LASER	31186	Camouflage Forest
TASER C2 WITH LASER	31180	Leopard
TASER C2 WITHOUT LASER	30010	Graphite

Specifications	Features
<ol style="list-style-type: none"> Output characteristic¹: Wave form: Complex shaped pulse Pulse rate: 19 pulses per second (PPS) for 5 seconds, 12 PPS for 15 seconds, ½ second break, 19 PPS for 1.5 seconds, 8 PPS for remaining 8 seconds Pulse duration: 100 microseconds Peak open circuit voltage: 50,000 volts (V) Peak loaded voltage: 1,200 V Energy at capacitors: Nominal at main capacitors: 0.368 joules per pulse Delivered into load: 0.07 joules per pulse Current: 0.0021 amperes (A) (2 milliamperes average) Power Rating: Nominal at main capacitors: 7 watts Delivered into load: 1.3 watts Temperature Range: -4 °F [-20 °C] to 122 °F [50 °C] Relative humidity: 15% to 80% Housing: High impact polymer Power Source 6 V: Lithium Power Magazine (LPM)^{4,7} 	<ol style="list-style-type: none"> Integrated ultra-bright LED (low intensity illumination). Integrated 650 nm laser (used for target acquisition). Not applicable on 30010. Capable of drive-stun with or without TASER C2 cartridge installed. Electrical charge can penetrate up to 2" [5 cm] cumulative of clothing, or one inch per probe.

Physical Dimensions ¹				
Dimensions				Dimensions (With Cartridge and LPM)
Length (L)	Height (H)	Width (W)	Weight	Length (L2)
5.50" [13.97 cm]	2.10" [5.33 cm]	1.25" [3.18 cm]	5.36 oz [151.95 g]	6.00" [15.24 cm]
				

- Dimensions are in English [Metric].
- Additional terms and conditions may apply (For additional information contact a TASER International sales representative or visit online at).
- Product specifications may change without notice; actual product may vary from the picture.
- Material Safety Data Sheet (MSDS) for lithium battery is available upon request.
- For additional cartridges, contact TASER International sales representatives.
- TASER C2 cartridges available only in 15' [4.57 m] range. Use of cartridges not authorized by TASER International will void the product warranty.
- Output specifications may vary dependent upon temperature, battery charge, and load characteristics.
- Additional models available. Please contact a TASER International sales representative for more information.
- C2 is a trademark of TASER International, Inc. All rights reserved.