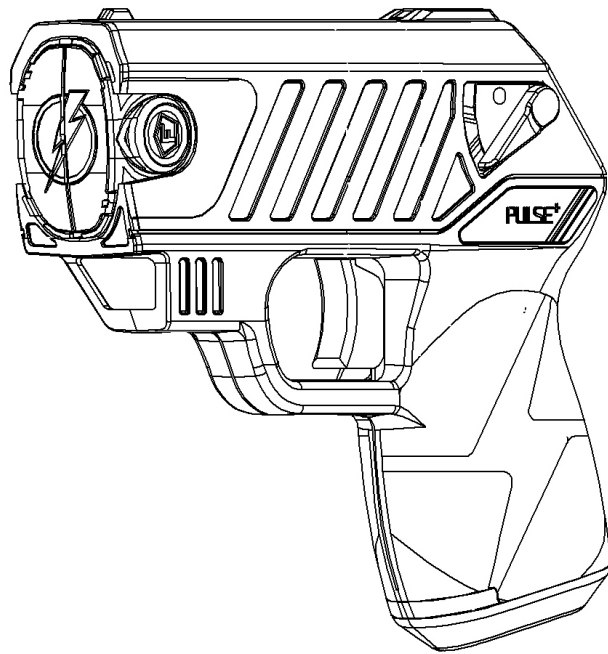




TASER Pulse+ CEW User Manual



IMPORTANT SAFETY INSTRUCTIONS

Read all warnings and instructions. Save these instructions. The most up-to-date warnings and instructions are available at www.axon.com

MMU0075 Rev: A
December 2018

Contents







1	Chapter 1: Warnings
1	Important Safety and Health Information
2	LASER Information
3	Chapter 2: Ownership
4	Chapter 3: General Information
4	What Is the TASER Pulse CEW?
4	Neuro Muscular Incapacitation (NMI)
4	Basic Pulse+ Electrical Theory
5	Chapter 4: TASER Pulse+ CEW and Cartridge Features
5	Safety Switch
6	Power Supply
7	Trigger Switch
7	Spark Duration
7	Electrodes
8	LASER and LED Flashlight
8	High Visibility Sights
8	Holsters
8	The TASER Pulse+ Cartridge
9	Avoiding Unintentional Discharge
9	Protective Anti-Felon Identification (AFID) Tags
10	Loading the Pulse+ Cartridges
11	Unloading Cartridges
11	Practicing with the Pulse+ CEW
13	Aiming and Probe Placement
13	Using the Pulse+ CEW
13	Deployment Instructions for Self-Defense

14	“Silence is Golden”
14	Potential Causes of Reduced or No Effectiveness
14	What if I Miss?
15	TASER Safe Escape
15	Contact Stun (Drive-Stun) Backup
16	Chapter 5: Using the Pulse+ CEW with the Noonlight Application
16	What is Noonlight?
16	Pairing the Pulse+ CEW to the Noonlight Application
17	Stopping False Alarms
18	Using the Training Mode
18	Unpairing the Pulse+ CEW from the Noonlight Application
19	Chapter 6: Maintenance and Care
19	General Concepts
19	Function Test
20	Changing the Battery
22	Chapter 7: Additional Items
22	Online Troubleshooting Guide
22	Legality
22	Warranty
22	Warnings
22	Medical Research
23	Radio Waves

Chapter 1: Warnings

Important Safety and Health Information

The safety warnings posted at www.axon.com are for your protection as well as the safety of others. Disregarding this information could result in death or serious injury.

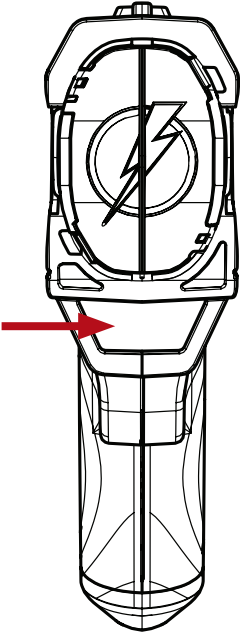
 WARNING	
 <div style="display: inline-block; border: 1px solid black; padding: 5px; margin-left: 10px;">  WARNING Conducted Energy Weapon <ul style="list-style-type: none"> • Can temporarily incapacitate target. • Can cause death or serious injury. • Obey warnings, instructions and all laws. • Comply with current training materials and requirements. • See www.axon.com </div>	
	<p>Read and Obey</p> <p>Significant differences exist between different TASER Conducted Energy Weapons (CEWs) models. Do not use or attempt to use any CEW model unless you have read, understood, and are following all current instructions, warnings, and relevant TASER training materials before using TASER CEWs. Failure to do so could increase the risk of death or serious injury to the user or others.</p>
	<p>Obey Applicable Laws</p> <p>Use of CEWs must be legally justified and comply with applicable federal, state, and local laws and regulations.</p>
	<p>Store in a Secure Location</p> <p>CEWs and cartridges are weapons and, as with any weapon, follow safe weapon-handling practices and store your CEW securely. Store CEWs, cartridges, and accessories in secure locations inaccessible to children and other unauthorized persons to prevent inappropriate access or use.</p>

For a complete list of product warnings, go to www.axon.com.

LASER Information

The CEW uses a Class 2 LASER as an aiming aid. LASERs can cause serious eye injury, including permanent vision loss.

⚠ WARNING	
LASER RADIATION AVOID DIRECT EYE EXPOSURE CLASS 2 LASER PRODUCT	

⚠ WARNING	
AVOID EXPOSURE – LASER RADIATION IS EMITTED FROM THIS APERTURE	

⚠ CAUTION	
Use of controls or adjustments or performance of procedures other than those specified herein may result in hazardous radiation exposure.	

Chapter 2: Ownership

Do not point the CEW at any law enforcement officer or do anything that would cause law enforcement officers to feel threatened by your use of the CEW. Because the TASER CEW is able to temporarily incapacitate a person, law enforcement officers may be justified to use lethal force to protect themselves.

Although the Pulse+ CEW incorporates yellow components to distinguish it as a non-firearm, it could be mistaken for a firearm. Take appropriate care in carrying and displaying the Pulse+ CEW. Do not modify the Pulse+ CEW or do anything to the CEW to make it look like a firearm.

Do not give a TASER CEW away as a gift or sell it without providing the new owner's name, email address, and phone number to customer service at team@taser.com. For more information, see *Legality* (Chapter 7).

Taking a TASER-brand CEW into a state or municipality where CEWs are prohibited (see ww.axon.com for a current list) or out of the United States (US) without the proper export license is prohibited by law (similar prohibitions may exist in other countries).

Check with TSA or any other relevant agency for the most recent regulations to determine whether you are permitted to travel aboard a commercial airplane with a TASER CEW. Check local laws to determine whether you may possess or carry a CEW in your destination.

It is recommended that you carry the Pulse+ CEW only in a manufacturer approved holster or carrying case. Do not carry uncovered Pulse+ cartridges in your pockets as they can be fired by electrostatic discharge (static electricity).

Chapter 3: General Information

What Is the TASER Pulse CEW?

The TASER Pulse+ CEW is a self-defense conducted energy weapon manufactured by Axon Enterprise, Inc. TASER-brand CEWs are designed to use propelled wires or direct contact to conduct energy to affect the sensory and/or motor functions of the nervous system.

The Pulse+ CEW uses a replaceable cartridge containing compressed nitrogen to deploy two small probes that are attached to the Pulse cartridge by insulated conductive wires with a maximum length of 15 feet (4.6 meters). The Pulse+ CEW transmits electrical pulses along the wires and into the body, which if used successfully will affect the sensory and motor functions of the peripheral nervous system to immobilize the body.

The Pulse+ can use Bluetooth technology to call for help when the CEW fires a cartridge. This is an option that must be enabled, and requires a smart phone. See *Chapter 5: Using the Pulse+ CEW with the Noonlight Application* for more information.

The Pulse CEW+ has an estimated useful life of five years.

Neuro Muscular Incapacitation (NMI)

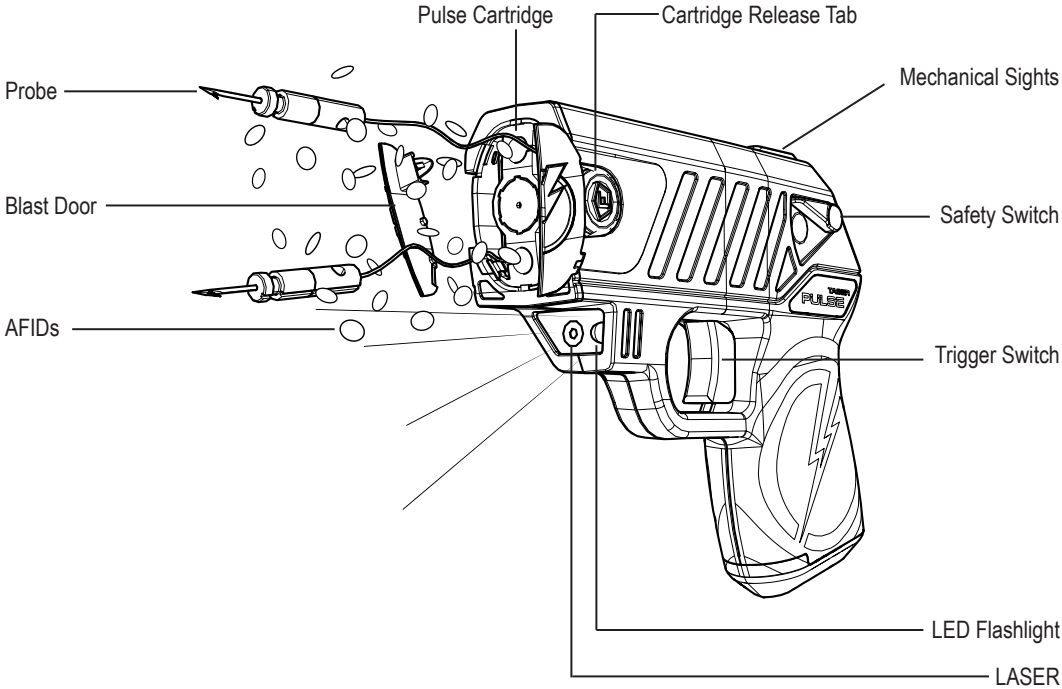
TASER technology is designed to use electrical pulses similar to those in your body's nervous system to cause stimulation of the sensory and motor nerves. Neuro Muscular Incapacitation (NMI) occurs when a CEW is able to cause involuntary stimulation of sensory and motor nerves. It is not dependent on pain and can be effective on subjects with a high level of pain tolerance.

Previous generations of generic stun guns could primarily affect the sensory nerves only, resulting in pain compliance. An attacker with a very high tolerance to pain (e.g., a drug abuser, person in serious psychological distress, or a trained, focused fighter) may not be affected by the pain or might be able to fight through the pain of a traditional stun gun.

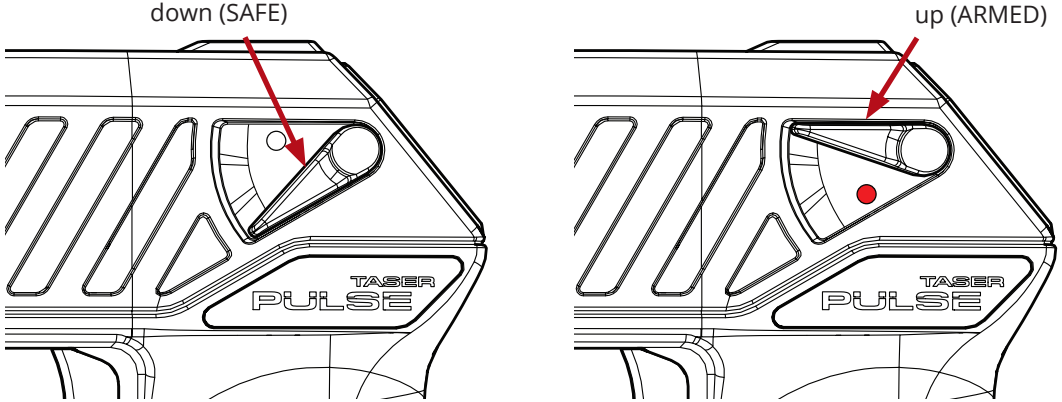
Basic Pulse+ Electrical Theory

- Electricity must be able to flow between the probes or the electrodes to deliver an electrical charge and will generally follow the path of least resistance.
- Generally, the greater the spread between the probes on the target, the greater the NMI effectiveness.
- Electricity will generally not pass to others in contact with the subject unless contact is made directly between or on the probes or the wires are touched.
- Exposure to water will not cause electrocution or increase the power to the subject (the electrical charge is fixed inside the TASER CEW and will not increase significantly even with environmental changes).

Chapter 4: TASER Pulse+ CEW and Cartridge Features



Safety Switch



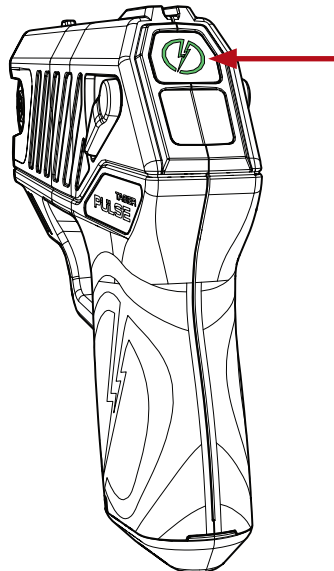
Ambidextrous safety switch can be operated from either side of the CEW.

- Safety switch down (SAFE).
- Safety switch up (ARMED) and ready to deploy.
- If the Pulse+ CEW's safety switch is left in the up (ARMED) position for more than 20 minutes, the system will shut down to preserve battery life.
- To re-arm the Pulse+ CEW, shift the safety switch to the down (SAFE) position, then back to the up (ARMED) position

Power Supply

The Pulse+ CEW's battery has enough power for approximately 50 thirty-second firings depending on temperature, environment, and other factors. The battery will deplete faster in colder weather than in warm weather. Left to itself in normal storage conditions, the battery has a 2-year life.

The power LED is located below the rear sight. An illuminated LED indicates the trigger switch is ARMED. A green LED indicates a "good" battery.

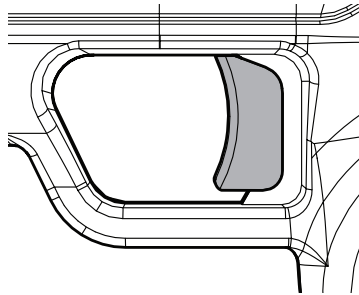


An orange LED indicates a "low" battery. In some conditions, especially low temperature (-4 °F/-20 °C) the LED may display orange even if the battery has sufficient charge left.

Trigger Switch

Unlike a firearm trigger, the Pulse+ trigger is a momentary electrical switch. The trigger is operational only when the safety switch is in the up (ARMED) position.

In the event of an unintentional discharge, immediately move the safety switch to the down (SAFE) position to stop the discharge cycle.



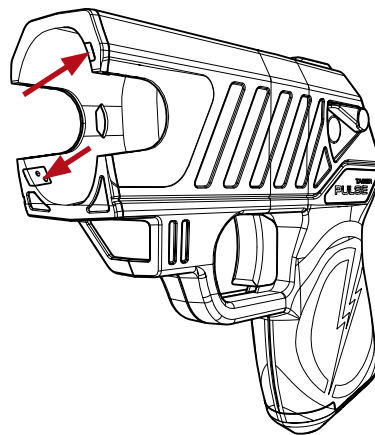
If your Pulse+ CEW has been connected to and properly configured with the Noonlight application (see *Chapter 5: Using the Pulse+ CEW with the Noonlight Application*), a trigger pull will notify the Noonlight application, which will initiate a notification to emergency services. If you unintentionally pull the trigger or forget to disable the notification feature when you do not want the Noonlight application to notify emergency services (e.g., during a training scenario), cancel the emergency service notification in the Noonlight application. See *Stopping False Alarms* (Chapter 5).

Spark Duration

When the Pulse+ CEW is deployed with a single push of the trigger switch, it delivers an approximately 30-second Shaped Pulse energy burst of short-duration electrical pulses. This sparking will continue for 30 seconds unless the safety switch is moved to the down (SAFE) position.

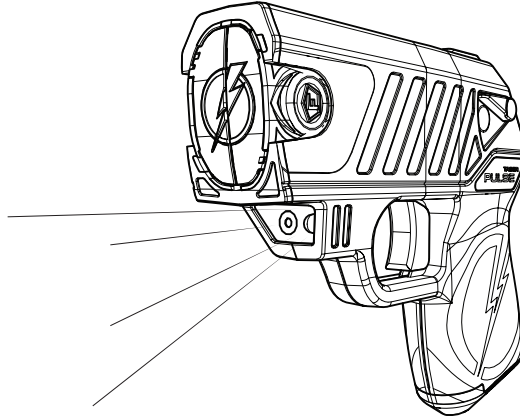
Electrodes

The front of the Pulse+ CEW has two metal electrodes. These electrodes direct the charge to the electrodes on the cartridge to initiate deployment of the probes. In addition, the electrodes provide the ability to use the Pulse+ CEW in a “drive-stun” mode as a traditional stun gun.



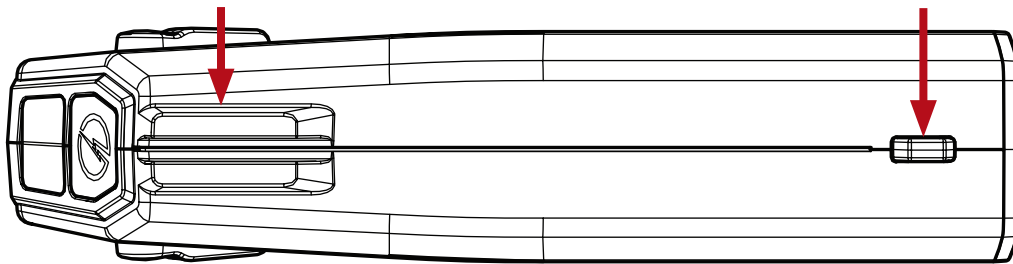
LASER and LED Flashlight

The LED flashlight illuminates whenever the safety switch is in the up (ARMED) position. In addition, the optional LASER provides assistance for aiming and indicates the approximate orientation of the top probe.



High Visibility Sights

The mechanical sights on the TASER Pulse+ CEW provide manual aiming. The mechanical sights are set to coincide with a top probe's trajectory at a 15-foot (4.6-meter) distance.



Holsters

All Pulse+ kits come with a soft protective cover, and additional styles may be purchased at buy.taser.com.

The TASER Pulse+ Cartridge



Fifteen-foot (4.6-meter) cartridges are available for the Pulse+ CEW at buy.taser.com. TASER Pulse+ cartridges have a service life of five years.

Standard TASER Pulse+ cartridges are black. In the past, Pulse+ simulation cartridges were available

for purchase. Pulse simulation cartridges are identifiable by their blue color. Simulation cartridges are intended for practice only.

WARNING: DO NOT use a Pulse+ CEW loaded with a simulation cartridge for self-defense.

Simulation cartridges use non-conductive nylon line and will not transmit electrical pulses to the probes. A simulation cartridge will have no NMI effect on an attacker.

Although they are designed not to conduct electricity, simulation cartridges deploy probes and must be handled with the same precautions as other cartridges.

Use Pulse+ standard cartridges, which are black in color, for self-defense.

Avoiding Unintentional Discharge

Never attempt to open or modify a Pulse+ cartridge. Tampering with a live Pulse+ cartridge could cause it to discharge or malfunction, which may result in serious injury.

Handle all Pulse+ cartridges with care.

Additionally, the firing sequence for all Pulse+ cartridges is designed to be initiated by an electrostatic discharge delivered by the TASER CEW. This is an important design and functional element for the Pulse+ CEW and cartridge. However, an electrostatic discharge can come from many other sources such as rubbing cloth (e.g., nylon jacket liner) across a cartridge in an environment known to create static shocks. When an electrostatic discharge, regardless of the source, contacts the front of a Pulse+ cartridge, it is possible for the cartridge to discharge (and even to discharge when not inserted into the CEW). Therefore, avoid contact between static electricity and the Pulse cartridge because static electricity can cause unexpected discharge.

Do not hold a Pulse+ cartridge near the Pulse+ CEW when discharging the Pulse+ CEW. If a cartridge is held within two inches (five centimeters) of the CEW when the CEW is discharged, the cartridge may deploy.

Occasionally, cartridge blast doors will be knocked off the front of a cartridge. Because those cartridges cannot be relied upon to discharge, Axon Enterprise recommends disposing of these cartridges. TASER CEW operators should not attempt to fire a cartridge with no blast doors on it unless they are facing an immediate threat and do not have the time or option to reload. Attempting to deploy a cartridge with no blast doors could result in a charge being created and held in the wires. Any conductive material that comes into contact with the front of the cartridge, even after the cycle has ended, could draw the charge to the ignition pin and deploy the probes.

Protective Anti-Felon Identification (AFID) Tags

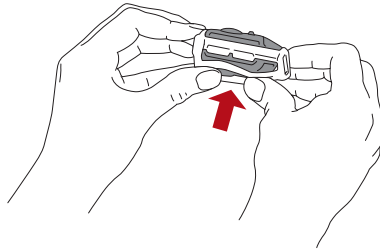
Every time a Pulse+ cartridge is deployed, 20–30 small confetti-like AFID tags are ejected. Each AFID tag is printed with the serial number of the cartridge. This revolutionary technology allows Axon to assist law enforcement in arresting criminals who would use our weapons for nefarious purposes.



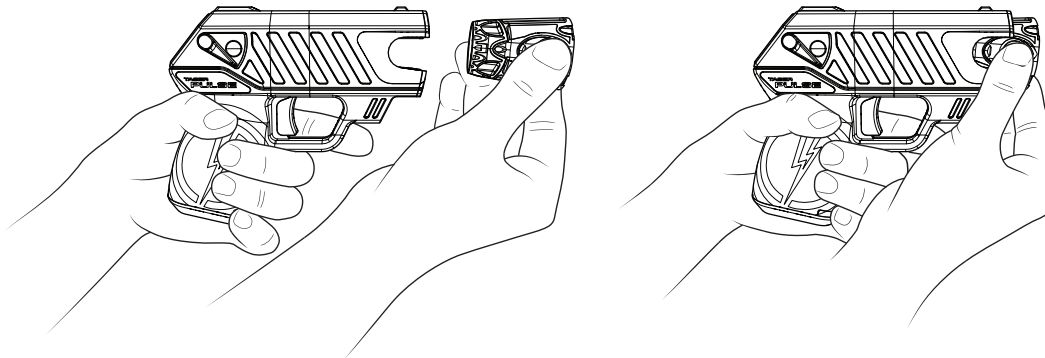
Loading the Pulse+ Cartridges

Never place your hands, fingers, or any part of your body in front of the cartridge. This is especially important when loading or unloading the cartridge. When loading and unloading, always hold the cartridge on the sides.

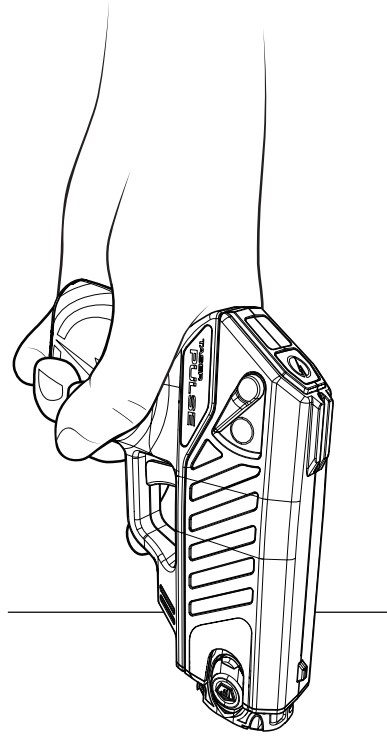
- 1 Point the CEW in a safe direction.
- 2 Ensure the safety switch is in the down (SAFE) position.
- 3 Remove the cartridge cover.



- 4 Keeping your hand away from the blast doors, place the cartridge into the front of the CEW until it is approximately 90 percent inserted.



- 5 Gently press the cartridge against a firm, flat surface until it locks into place. Do not slam the CEW against the surface; doing so may damage the cartridge.



- 6 Confirm that the cartridge is secure by gently pulling on the sides of the cartridge.

Unloading Cartridges

The Pulse+ cartridge is designed to ensure a secure fit when inserted in the Pulse+ CEW. The placement of the wire bundles behind the insertion tabs aids in providing a secure fit. It may be very difficult to remove a cartridge with the wire in place (that is, when the cartridge has not been deployed). To remove a live cartridge, follow these steps:

- 1 Ensure the front of the Pulse+ CEW is pointed in a safe direction.
- 2 Ensure the safety switch is in the down (SAFE) position. Do not place any part of your hands or other body parts in front of the Pulse+ CEW.
- 3 Depress both tabs until the cartridge releases. Note that it might take two hands to depress the tabs.
- 4 Re-install the clear cartridge cover on the cartridge.

Removal of an expended cartridge does not require as much force because the wires are no longer behind the tabs.

Cartridges for the Pulse CEW are specifically designed so there is no “up” or “down” position – enabling you to quickly load one without worrying about putting it in upside down.

Practicing with the Pulse+ CEW

Axon recommends practicing with your Pulse+ CEW to become familiar with its functions and how it deploys.

Be aware of your surroundings when deciding where to place your training target. Ensure that the target has a firm backing (for example, cardboard or a foam board) that will allow the probes to stick

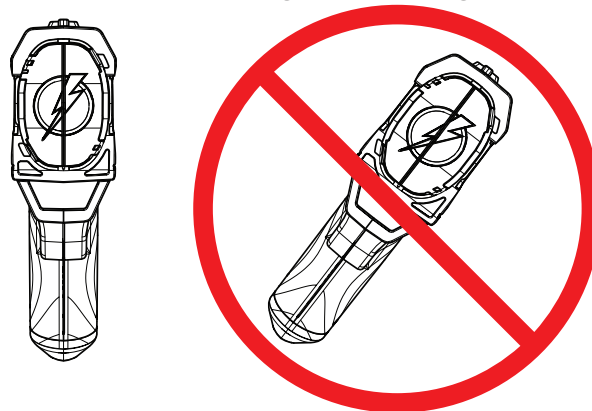
and not bounce off and strike an unintended person or object. Do not use a wooden backing. Do not place the target anywhere a probe that misses or penetrates the target could cause damage or injury.

Do not discharge Pulse+ cartridges without using a target. Probes that do not strike a target may recoil back at you. We recommend using TASER conductive targets available at buy.taser.com and a thick, penetrable backing.

Training cartridges with blue blast doors and non-conductive wire were available for purchase from Axon, but standard cartridges can be used with the conductive targets so that the sparking effect may be seen.

Safety first! Always treat your Pulse+ CEW as if it were loaded.

- Never put your hands or other body parts in front of the CEW, especially when changing the cartridges.
- Do not inadvertently point any cartridges at yourself or at anyone when loading.
- Cartridge covers must be removed prior to attempting to load.
 - 1 Point your Pulse+ CEW in a safe direction; load the cartridge as described in *Loading the Pulse+ Cartridges* above while keeping your fingers away from the blast doors.
 - 2 Point your Pulse+ CEW towards the training target and shift the safety switch to the up (ARMED) position.
 - 3 Aim your Pulse+ CEW at the training target; keep in mind that the LASER is within 2 to 3 inches (5 to 7.6 cm) of the point of impact for the top probe. Aim at the target's center of mass – to improve the accuracy of the bottom probe, avoid canting or tilting the CEW.
 - 4 Remember that the bottom probe comes out at an 8-degree downward angle. The bottom probe will drop 1 foot (0.3 m) below the top probe for every 7 feet (2.1 m) that it travels away from the CEW. Stand about 10 feet (3 m) from your target. This will result in a probe spread of about 18 inches (0.46 m). Place the LASER high enough on the target so the bottom probe will hit the target.
 - 5 Press the trigger switch once to discharge the cartridge and activate the 30-second cycle.



Remember that you can discontinue the discharge at any time by shifting the safety switch to the down (SAFE) position.

- 6 After the TASER discharge cycle ends, and the safety switch is in the down (SAFE) position, unload the expended cartridge as described in *Unloading Cartridges*.

Aiming and Probe Placement

For most deployments, hold the CEW level. Do not tilt the CEW unless it is necessary to align the CEW with the attacker.

Normally, aim the LASER at one of the large muscle groups (lower center of mass) such as the torso or thigh areas, etc.

Avoid head, face, throat, chest, or groin exposure unless your safety or the situation dictates otherwise.

The top probe impacts the target near the LASER beam; however, the probe impact distance from the LASER beam can vary depending on numerous factors, including, but not limited to the distance, movement of the user or attacker, and environmental factors.

Be sure not to fire at a subject who is more than 15 feet or 4.6 m away (measure 15 feet or 4.6 m to see how far this is – it will probably be further than you think). If you do deploy at someone more than 15 feet or 4.6 m away, the probes will not have sufficient wire to reach them and may recoil back at you.

Using the Pulse+ CEW

The Pulse+ CEW is a serious, state-of-the-art defensive weapon and should be treated accordingly. Although the CEW is designed to be as nonviolent as possible in stopping a combatant, its use can result in injuries, including but not limited to, a probe embedded in an eye or secondary injuries related to falling.

For a full list of warnings, see www.axon.com.

The CEW is to be used only for lawful purposes, including lawful self-defense or in the defense of others. Check your state and local laws for applicable regulations. Depending on local and state laws, the Pulse+ CEW may be kept in the house for home protection, or carried in a car, purse, or backpack for personal protection when away from home. For a list of laws related to CEWs, known to Axon as of the date of this manual, go to www.axon.com. However, you should not solely rely on this list and should conduct independent research on each state's applicable laws prior to possessing or transporting the CEW (including the transporting of the CEW across state lines and into other states where laws may vary).

A CEW is not a substitute for other preventive self-protection actions such as ensuring doors are locked, and parking in well-lighted areas.

Deployment Instructions for Self-Defense

DO NOT use simulation (blue) cartridges for self-defense. A simulation cartridge will have no NMI effect on an attacker.

- 1 Remove the Pulse+ CEW from its holster and ensure that the Pulse+ cartridge is installed.
- 2 If a person approaches in a manner you perceive to be threatening, move the safety switch to the up (ARMED) position.
- 3 Aim the LASER beam at the person's body. Avoid intentionally aiming at a sensitive body location such as the head, face, throat, chest, or groin, when possible.
- 4 Shout verbal commands to "get away," if feasible. It is possible that the person will flee based on the verbal commands and LASER.
- 5 If you determine that you need to deploy the Pulse+ CEW in self-defense, ensure that you are

within 15 feet (4.6 m) of the attacker.

- 6 Press the trigger switch.
- 7 The TASER Safe Escape: Immediately put the Pulse+ down and escape to safety. The TASER Pulse+ CEW is unlike most weapons in that it is built for you to escape to safety. After connecting with the target, the Pulse will continue to administer electricity for 30 seconds (and if used properly NMI will continue for 30 seconds) regardless of whether you are still holding the weapon. Therefore, put the Pulse+ on the ground, run to safety, call police, or do whatever you need to do to ensure your safety with the 30 seconds the TASER Pulse+ CEW has given you.
- 8 As soon as it is safe to do so, call 911 and report the specific location of the threat.
If your Pulse+ CEW is connected to and properly configured with the Noonlight application, you can use the application to check for updates on emergency services dispatch.
- 9 See *TASER Safe Escape*, below, for how to get your TASER CEW replaced for free when used in self-defense and left at the scene.

“Silence is Golden”

The TASER CEW’s electrical current is relatively quiet when both probes make direct contact with a human and an electrical circuit is completed and maintained. In contrast, an open circuit or some practice conductive targets produce a loud sound when used because the energy is arcing in the air across the Pulse+ CEW’s fixed electrodes.

If the electrical current is loud during field deployment, and the subject is not reacting as expected, the current may be shorting out and may not be effective. Deploy a second cartridge or consider other options in that situation.

Potential Causes of Reduced or No Effectiveness

- **Loose or Thick Clothing.** If the probes lodge in clothing and are too far away from the attacker, CEW effectiveness is reduced and can be eliminated.
- **Miss or Single Probe Hit.** The electrical current must pass between the two probes in a completed and maintained circuit. If one probe misses, reload with a second cartridge and deploy, if practical. Also, using the Pulse+ CEW in the drive-stun mode as described below may also complete the circuit between the single probe and the CEW electrode. You may also consider purchasing a TASER X2 Professional Series (available on buy.taser.com), a 2-shot device that fires a second cartridge immediately with a second trigger pull.
- **Low Nerve or Muscle Mass.** If the probes impact in an area where there is very little muscle mass (e.g., the side of the rib cage), the effectiveness can be significantly diminished.
- **Limited Probe Spread.** Small probe spreads (including contact-stun) result in little or no effect from NMI. They can, however, still function as a pain-compliance device.
- **Wires Break.** If a wire breaks (e.g., during a struggle), the current will not flow to the probes. Contact-stun may still be available.

What if I Miss?

The LASER sight is an extremely valuable aid for proper aiming. However, there is always the chance for a missed shot, especially in a dynamic, stressful situation, and you must be prepared to take alternative actions to protect yourself in case of a missed shot or reduced effectiveness. In the event that you shoot and miss, you can also use your Pulse+ CEW as a direct contact stun (drive-stun) device, which is designed for pain compliance.

TASER Safe Escape

Do not hesitate to place the Pulse+ CEW on the ground and leave it at the scene of the attempted assault. At Axon, we value your life more than a piece of plastic and metal. If you successfully deploy your TASER Pulse+ CEW to defend yourself, leave it at the scene and take advantage of the 30 seconds to escape.

Axon will replace the TASER Bolt, C2, X26C, M26C, TASER Pulse+, X2, or X26P CEW free of charge, with the like product, at Axon's option, if the Purchaser provides, within one year following the event, the following information to Axon Enterprise, 17800 North 85th Street, Scottsdale, Arizona 85255 Attn: Customer Service:

- a copy of the official police report documenting the incident and the loss of the product;
- proof of purchase of the product (receipt, purchase order, or invoice);
- check or a credit authorization for the shipping and handling fees; and
- purchaser's name, physical address (no PO Boxes allowed), and phone number of where to send the replaced item.

Purchaser is responsible for any expedited shipping or handling costs for the replacement CEW. A replacement product assumes the remaining warranty of the original product or 90 days from the date of replacement, whichever provides longer coverage to the Purchaser.

TASER Safe Escape is not available or applicable: (a) on any international (Non-United States) sales or uses of TASER Citizen Products; or (b) to any Purchaser who uses the CEW for a commercial purpose.

Contact Stun (Drive-Stun) Backup

Contact stun (also known as drive-stun) is the use of the TASER Pulse+ CEW as a stun gun, rather than by firing darts. You can contact-stun either without a cartridge installed or after a cartridge has been deployed. Probe deployment is usually considered more desirable if incapacitation is the desired objective, even at close range, because the drive-stun is only a pain-compliance use.

When using a contact-stun, push the trigger switch and push (drive) the front of the CEW firmly against the body of the attacker. Simply "touching" the Pulse+ CEW against the person is not sufficient to achieve neuro muscular incapacitation. The subject is likely to recoil from the painful shock and try to get away from the stun electrodes. If the contact-stun is not effective, evaluate the location of the contact-stun and consider an additional cycle to a different pressure point.

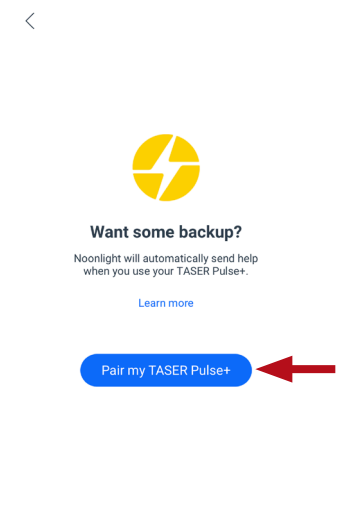
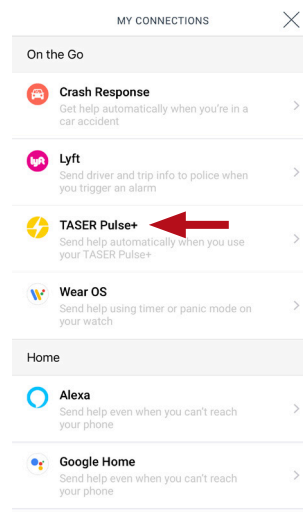
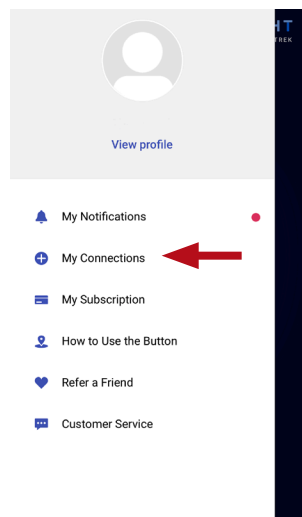
Chapter 5: Using the Pulse+ CEW with the Noonlight Application

What is Noonlight?

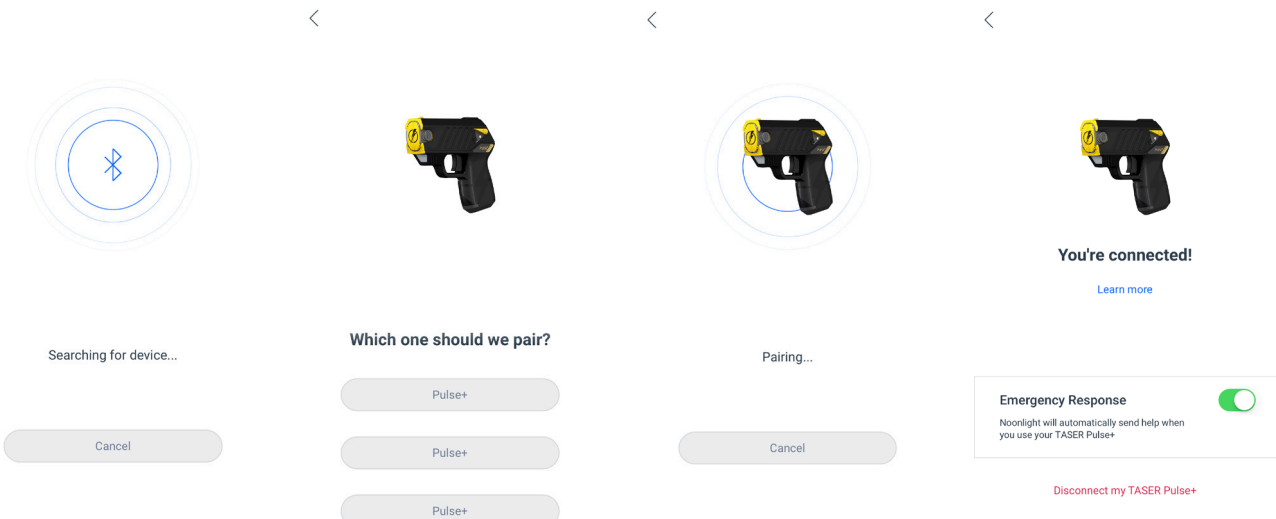
Noonlight is a mobile application that you can connect to the Pulse+ CEW that may trigger a notification to emergency services. When a Noonlight alert is triggered, Noonlight shares vital data from your connected devices with first responders. Additional information is available at noonlight.com.

Pairing the Pulse+ CEW to the Noonlight Application

- 1 Enable the Bluetooth sensor on your smart phone.
- 2 Download the Noonlight application to your smart phone.
- 3 Follow the installation instructions.
- 4 Open the Noonlight application.
- 5 Tap the menu icon.
- 6 Tap **My Connections**.
- 7 Tap **TASER Pulse+**.
- 8 Tap **Pair my TASER Pulse+**.



- 9 Wait for the application to find the CEW.
- 10 Tap **Pulse+**.
- 11 Wait for the application to pair the device.



After you've paired your Pulse+ CEW to your smart phone, the phone will pair to the CEW whenever it is in range of the phone. If you fire your Pulse+ CEW, the CEW will ping the Noonlight application, which will subsequently notify emergency services on your behalf. See *Stopping False Alarms* for what to do in the event of an unintentional alarm.

Stopping False Alarms

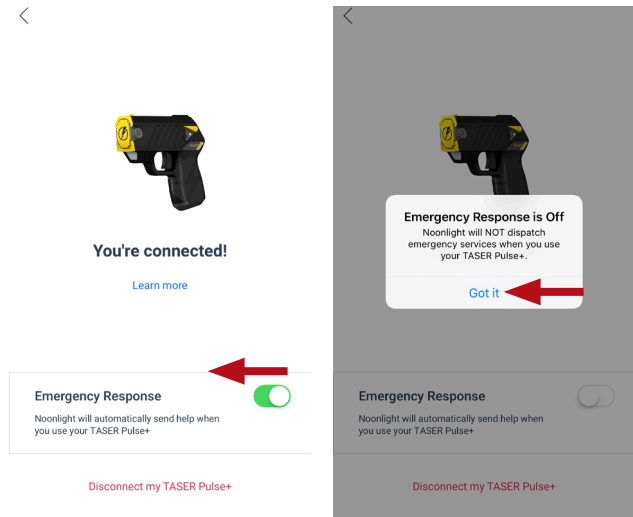
If you unintentionally deploy your CEW and/or do not want Noonlight to contact emergency services on your behalf, follow these steps:

- 1 Wait for a confirmation call or text from Noonlight.
- 2 Give Noonlight your Noonlight PIN.

Using the Training Mode

When training with the Pulse+ CEW, you will practice contact-stuns or deploy cartridges. Putting the Noonlight application in training mode will prevent unnecessary alerts when you pull the trigger. To use the training mode:

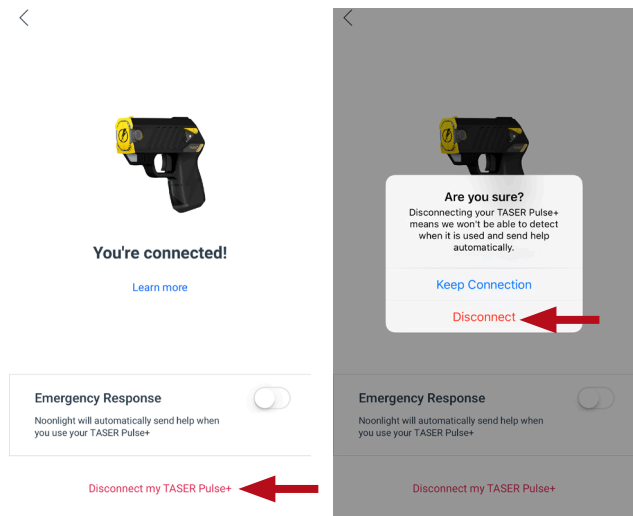
- 1 On your smart device, open the Noonlight application.
- 2 Tap the menu icon.
- 3 Tap **My Connections**.
- 4 Tap **TASER Pulse+**.
- 5 Swipe the **Emergency Response** switch to the left and then tap **Got it**.



Unpairing the Pulse+ CEW from the Noonlight Application

If you no longer want your CEW and smart device paired, follow these steps:

- 1 On your smart device, open the Noonlight application.
- 2 Tap the menu icon.
- 3 Tap **My Connections**.
- 4 Tap **TASER Pulse+**.
- 5 Tap **Disconnect my TASER Pulse+**.
- 6 Tap **Disconnect**.



Chapter 6: Maintenance and Care

General Concepts

The Pulse+ CEW is a sensitive piece of electronic equipment, and should be handled with care. Avoid dropping a Pulse+ CEW. Do not use a Pulse CEW+ that has a cracked handle.

- Check the battery regularly by confirming the LED on the back of the CEW is green. See *Power Supply* (Chapter 4) for more information.
- Perform a function test regularly.
- Check the expiration of the Pulse+ cartridges (the 5-year expiration is listed on the base of the cartridge). Do not use an expired Pulse cartridge.
- Secure the Pulse+ CEW in the protective cover when not in use.
- Avoid exposing the Pulse+ CEW to excessive moisture or water.
- See the troubleshooting guide at buy.taser.com for additional instructions.

Function Test

A function test should be conducted every 30–60 days. The reasons for the function test include:

- To verify the Pulse+ CEW is working.
- To verify that the battery is in good condition.

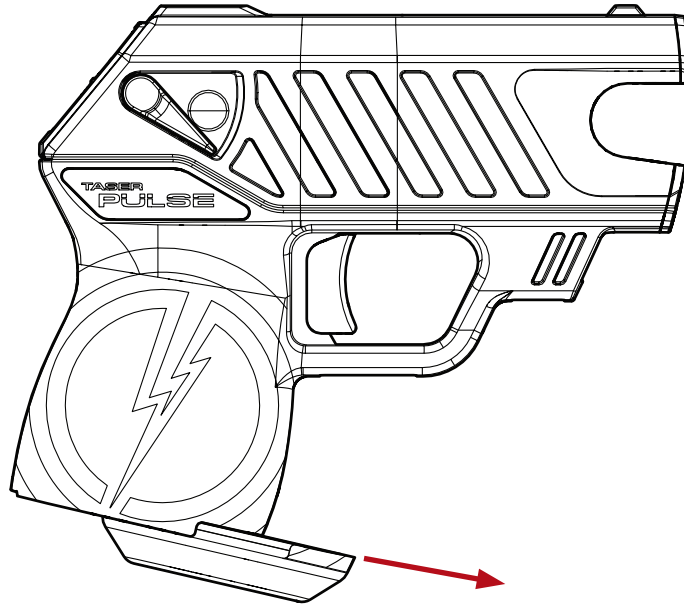
To perform a function test:

- 1 Ensure that the safety switch is in the down (SAFE) position.
- 2 Safely unload the Pulse+ cartridge. See *Unloading Cartridges* (Chapter 4) for more information.
- 3 Point the CEW in a safe direction (such as the floor) and ensure that your fingers and no part of your body are in front of the CEW.
- 4 Shift the safety switch to the up (ARMED) position.
- 5 Press the trigger and confirm sparking across the electrodes at a rapid rate. Allow the cycle to run for the full 30 seconds.
- 6 Shift the safety switch to the down (SAFE) position.

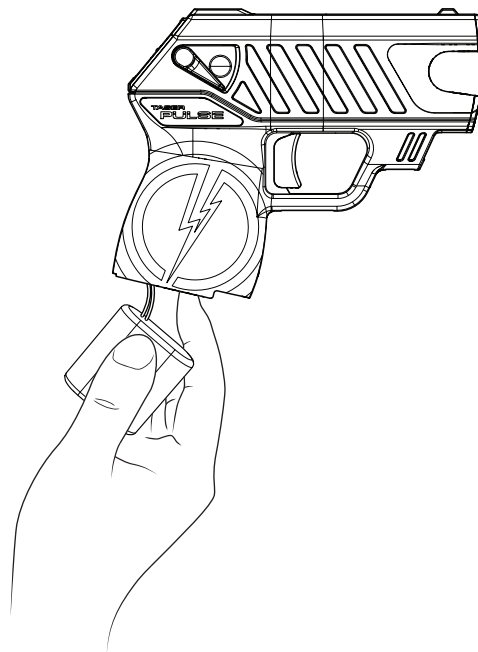
Changing the Battery

To install or change the battery:

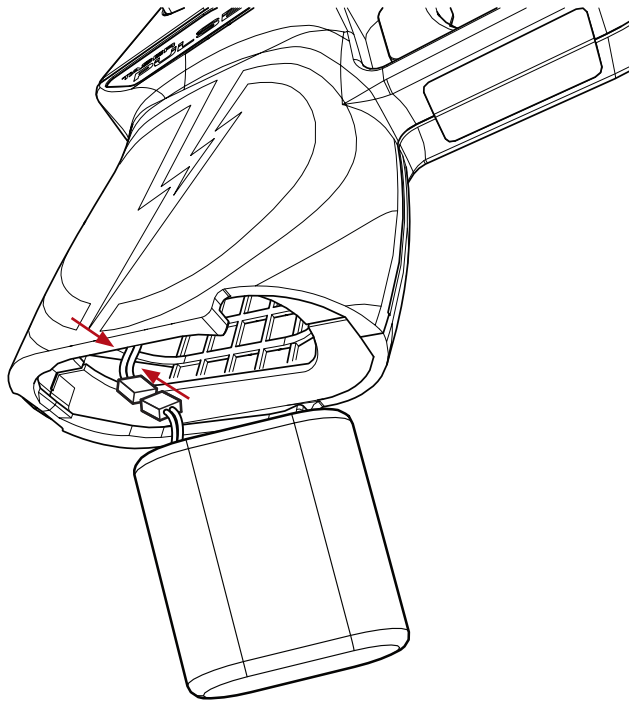
- 1 Shift the safety switch to the down (SAFE) position.
- 2 Safely remove the Pulse+ cartridge.
- 3 Slide the battery cap out.



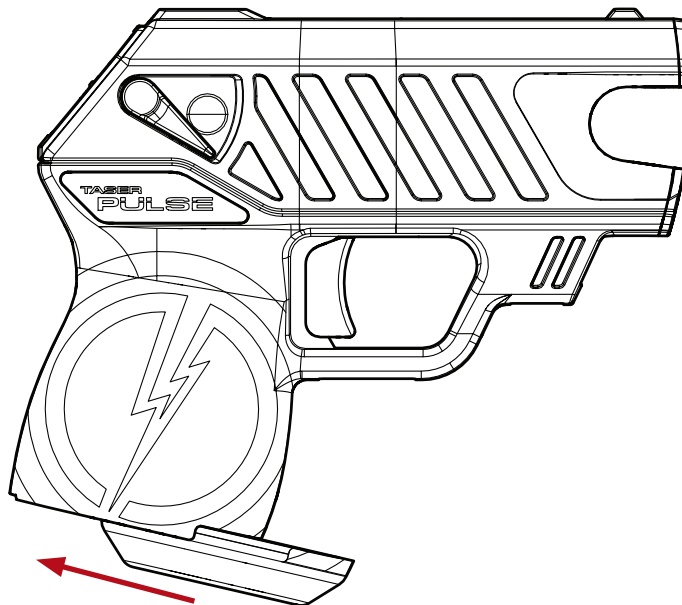
- 4 Pull the battery pack out of the CEW.
- 5 Place your fingers on the battery cap lid, and pry off the battery cap.



- 6 Remove the CR123 battery cells from the battery pack and replace them with new ones.
- 7 Replace the battery cap lid.
The connectors make a click when they fit together.



- 8 Push the battery into the battery well.
- 9 Slide the battery cap back into place.



Chapter 7: Additional Items

Online Troubleshooting Guide

A troubleshooting guide is available by visiting buy.taser.com. If you need product support on accessories or have any other questions, please contact consumer customer service at:

team@taser.com

+1.800.978.2737

To return a TASER product for service, first follow the procedures at buy.taser.com.

If the TASER CEW has been exposed to bodily fluids or other biohazards, contact Axon's service department at +1.800.978.2737 or +1.480.905.2000 for specific instructions BEFORE returning the weapon.

Legality

The Bureau of Alcohol, Tobacco, Firearms, and Explosives has classified our TASER CEWs as non-firearms because they use compressed gas (inert nitrogen), rather than explosives to launch the projectiles. Because TASER CEWs are not firearms, they may be carried without a permit in certain jurisdictions (check state and local laws for permit requirements in your area). Check our website at www.axon.com for a list of known state and local laws concerning TASER CEWs. Because state and local laws may change frequently, be sure to research the applicable laws in your area prior to using, possessing or transporting the CEW.

Warranty

Please see the product warranty which came with your CEW. Axon's current product warranties are also available on www.axon.com.

Warnings

See the current product warnings that came with your CEW, for more information about your TASER product. Axon's current product warnings are also available on www.axon.com.

Medical Research

Medical studies have found that modern pacemakers and implanted cardiac defibrillators withstand

external electrical defibrillators many orders of magnitude stronger than the TASER conducted energy pulses.

Radio Waves



The signal feature of the TASER 7 Battery Pack transmits in the frequency range of 2402 to 2480 MHz.

Changes or modifications to the equipment not expressly approved by the manufacturer could void the product warranty and the user's authority to operate the equipment.

Your wireless device is a radio transmitter and receiver. It is designed and manufactured not to exceed the emission limits for exposure to radio frequency (RF) energy set by the Federal Communications Commission (FCC) of the U.S. Government. These limits are part of comprehensive guidelines and establish permitted levels of RF energy for the general population. The guidelines are based on standards that were developed by independent scientific organizations through periodic and thorough evaluation of scientific studies. The standards include a substantial safety margin designed to assure the safety of all persons, regardless of age and health. Before a device model is available for sale to the public, it must be tested and certified to the FCC that it does not exceed the limit established by the government adopted requirement for safe exposure. This equipment has been tested and found to comply with the limits for a Class B digital device, pursuant to part 15 of the FCC Rules. These limits are designed to provide reasonable protection against harmful interference in a residential installation. This equipment generates, uses and can radiate radio frequency energy and, if not installed and used in accordance with the instructions, may cause harmful interference to radio communications. However, there is no guarantee that interference will not occur in a particular installation. If this equipment does cause harmful interference to radio or television reception, which can be determined by turning the equipment off and on, the user is encouraged to try to correct the interference by one or more of the following measures:

Reorient or relocate the receiving antenna.

Increase the separation between the equipment and receiver.

Connect the equipment into an outlet on a circuit different from that to which the receiver is connected.

Consult Axon Technical Support for help.

FCC/IC NOTICE: This device meets the body worn human exposure limits found in OET Bulletin 65, 2001, and ANSI/IEEE C95.1, 1992. Proper operation of this equipment according to the instructions found in this guide will result in exposure substantially below the FCC's recommended limits. To comply with the FCC and ANSI C95.1 RF exposure limits, this device has been tested for compliance with FCC RF Exposure limits in the typical configuration. The radiated output power of this wireless device is far below the FCC radio frequency exposure limits.

This device complies with part 15 of the FCC Rules. Operation is subject to the following two conditions: (1) This device may not cause harmful interference, and (2) this device must accept any interference received, including interference that may cause undesired operation.

Section 8.4 of RSS-GEN

This Device complies with Industry Canada License-exempt RSS standard(s). Operation is subject to the following two conditions: 1) this device may not cause interference, and 2) this device must accept any interference, including interference that may cause undesired operation of the device.

Cet appareil est conforme aux normes d'exemption de licence RSS d'Industrie Canada. Son utilisation est soumise aux conditions suivantes: 1) cet appareil ne doit pas causer de brouillage, et 2) doit accepter tout brouillage, y compris le brouillage pouvant entraîner un fonctionnement indésirable.

Section 8.3 of RSS-GEN

Under Industry Canada regulations, this radio transmitter may only operate using an antenna of a type and maximum (or lesser) gain approved for the transmitter by Industry Canada. To reduce potential radio interference to other users, the antenna type and its gain should be so chosen that the equivalent isotropically radiated power (e.i.r.p.) is not more than that necessary for successful communication.

Conformément à la réglementation d'Industrie Canada, le présent émetteur radio ne peut fonctionner qu'au moyen d'une antenne d'un seul type et d'un gain maximal (ou inférieur) approuvé pour l'émetteur par Industrie Canada. Dans le but de réduire les risques de brouillage radioélectrique pour les autres utilisateurs, il faut choisir le type d'antenne et son gain de sorte que la puissance isotrope rayonnée équivalente (p.i.r.e.) ne dépasse pas celle requise pour établir une communication satisfaisante.

THIS MODEL DEVICE MEETS THE GOVERNMENT'S REQUIREMENTS FOR EXPOSURE TO RADIO WAVES.



Product functions and specifications may change without notice and the actual product may vary from the illustrations in this manual.

Bluetooth is a trademark of the Bluetooth SIG, and Noonlight is a trademark of SafeTrek, Inc.

▲, ▲ AXON, Bolt, Pulse+, X2, C2, M26C, X2, X26C, X26P, TASER, TASER Bolt, TASER Pulse+, ⚡ and Ⓜ are trademarks of Axon Enterprise, Inc., some of which are registered in the US. For more information visit www.axon.com/legal. All rights reserved.
© 2018 Axon Enterprise, Inc.

MMU0075 Rev: A